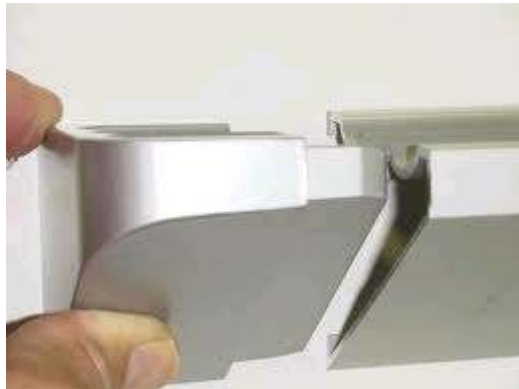
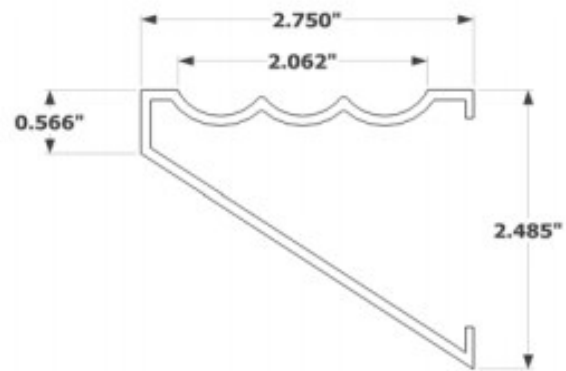


## Transcribe Marker Tray #TS1-Tray (mounts w/clips)



Shown mounted to wall and with End Cap being attached.